

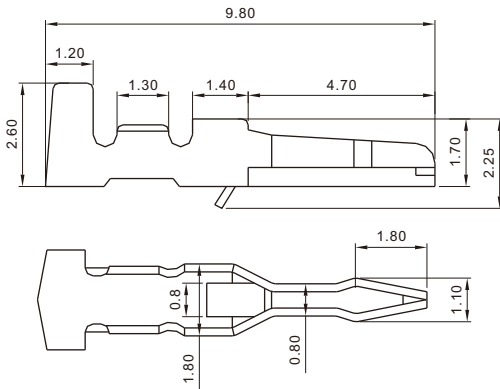
规格SPECIFICATIONS

间距(PITCH): 2.5mm
 极数(Poles): 2~16
 适用电线范围(Useable wire range): AWG28#~22#
 适用印制板厚度(Applicable PC board thickness): 1.2~1.6mm
 额定电流(Current rating): 2A, AC, DC
 额定电压(Voltage rating): 250V, AC, DC
 工作温度(Working Temperature): -25℃ ~ +85℃
 耐压值(Withstand voltage): 1000V, AC /min
 接触电阻(Contact resistance): ≤ 0.01Ω
 绝缘电阻(Insulation resistance): ≥ 1000mΩ

材料MATERIAL

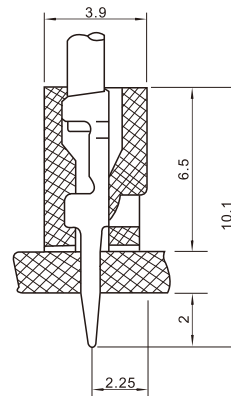
孔座(HOUSING): 尼龙66 UL94V-0 (NYLON66 UL94V-0)
 端子(TERMINAL): 磷青铜(PHOSPHOR BRONZE)

SCN-T

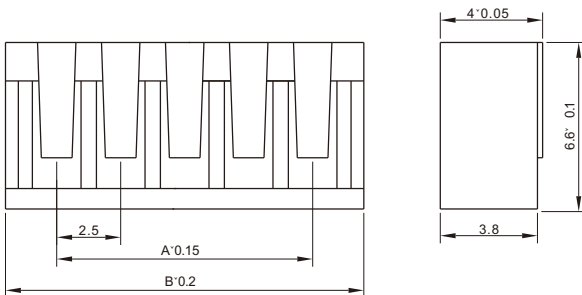


装配图

ASSEMBLY DIAGRAM



SCN-P



线数 poles	型号(Type)	A	B
2	SCN-2P	2.50	6.50
3	SCN-3P	5.00	9.00
4	SCN-4P	7.50	11.50
5	SCN-5P	10.00	14.00
6	SCN-6P	12.50	16.50
7	SCN-7P	15.00	19.00
8	SCN-8P	17.50	21.50
9	SCN-9P	20.00	24.00
10	SCN-10P	22.50	26.50
11	SCN-11P	25.00	29.00
12	SCN-12P	27.50	31.50
13	SCN-13P	30.00	34.00
14	SCN-14P	32.50	36.50
15	SCN-15P	35.00	39.00
16	SCN-16P	37.50	41.50