

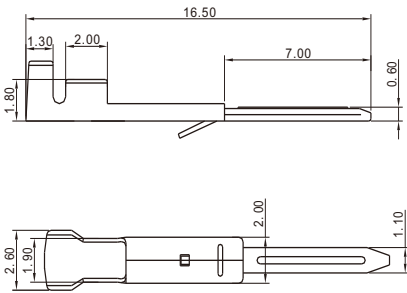
规格SPECIFICATIONS

间距(PITCH): 2.5mm
 极数(Poles): 2~12
 适用电线范围(Useable wire range): AWG28#~22#
 额定电流(Current rating): 3A, AC, DC
 额定电压(Voltage rating): 250V, AC, DC
 工作温度(Working Temperature): -25°C ~ +85°C
 耐压值(Withstand voltage): 1000V, AC /min
 接触电阻(Contact resistance): $\leq 0.01\Omega$
 绝缘电阻(Insulation resistance): $\geq 1000m\Omega$

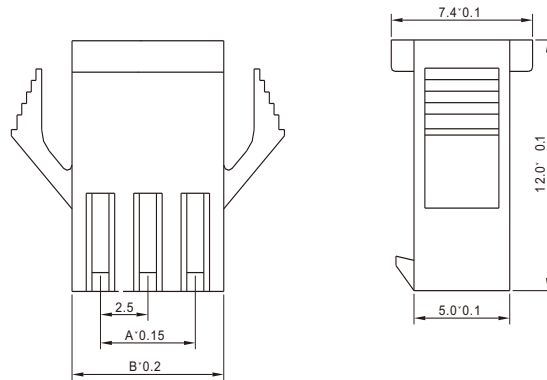
材料MATERIAL

孔座(HOUSING): 尼龙66 UL94V-0 (NYlon66 UL94V-0)
 端子(TERMINAL): 磷青铜(PHOSPHOR BRONZE)

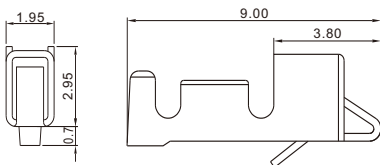
SM-R-T



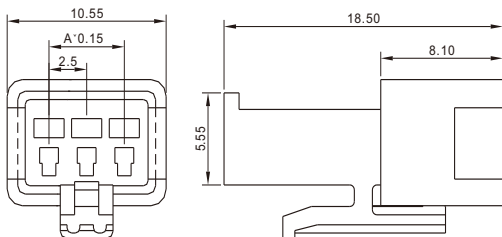
SM-P



SM-P-T



SM-R



线数 poles	型号(Type)		A	B
2	SM-2P	SM-2R	2.50	5.50
3	SM-3P	SM-3R	5.00	8.00
4	SM-4P	SM-4R	7.50	10.50
5	SM-5P	SM-5R	10.00	13.00
6	SM-6P	SM-6R	12.50	15.50
7	SM-7P	SM-7R	15.00	18.00
8	SM-8P	SM-8R	17.50	20.50
9	SM-9P	SM-9R	20.00	23.00
10	SM-10P	SM-10R	22.50	25.50
11	SM-11P	SM-11R	25.00	28.00
12	SM-12P	SM-12R	27.50	30.50